

Netzer pin map



Overview

Pins of pin header JP1

Name	Description
INT	GPIO pins, see IO for more informations.
CLK	
MI	
MO	
CS	
I04	
I05	
I03	
VA2	Connection for Power-over-Ethernet . That is the center tap of the ethernet coil between RJ45 pins 3 and 6.
VB2	Connection for Power-over-Ethernet . This pin is directly connected to the network jack of Netzer (RJ45 pins 7 and 8).

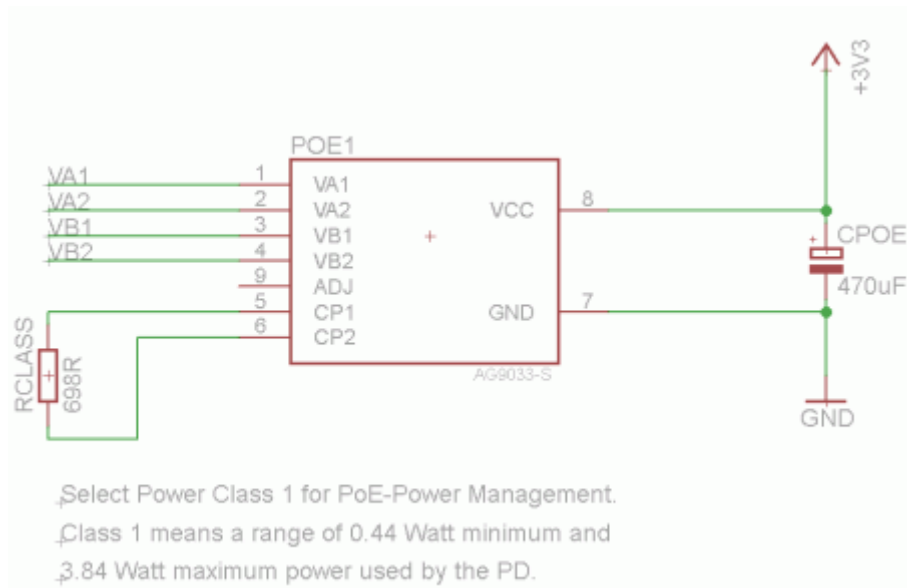
Pins of pin header JP2

Name	Description
RST	Use this pin to reset Netzer. The signal ist low active (this means 0 resets Netzer). The Reset signalcan also be used for waking up netzer from sleep mode (after shut down). The pin is optional and can be left open.
3V3	Pin for power supply. Minimum voltage is 3.1 V. Maximum voltage is 3.6 V.
GND	Ground potential.

Name	Description
IO0	GPIO pins, see IO for more informations.
IO1	
IO2	
TX	
RX	
VA1	Connection for Power-over-Ethernet . That is the center tap of the ethernet coil between RJ45 pins 1 and 2.
VB1	Connection for Power-over-Ethernet . This pin is directly connected to the network jack of Netzer (RJ45 pins 4 and 5).

Power-over-Ethernet (PoE)

The four connections VA1, VA2, VB1 and VB2 are connections from the network socket where a power-over-ethernet supply can be connected to.



The image shows an example circuit. Here the PoE supply AG9033 from Silver Telecom is used.

From: <http://mobacon.de/dokuwiki/> - **MoBaCon**

Permanent link: <http://mobacon.de/dokuwiki/doku.php?id=en:netzer:pins&rev=1322401761>

Last update: **2025/06/11 20:42**

