


SPI Master Ethernet Gateway

In this mode the Ethernet gateway Netzer can directly communicate with  [SPI devices](#) like memories or LCDs.

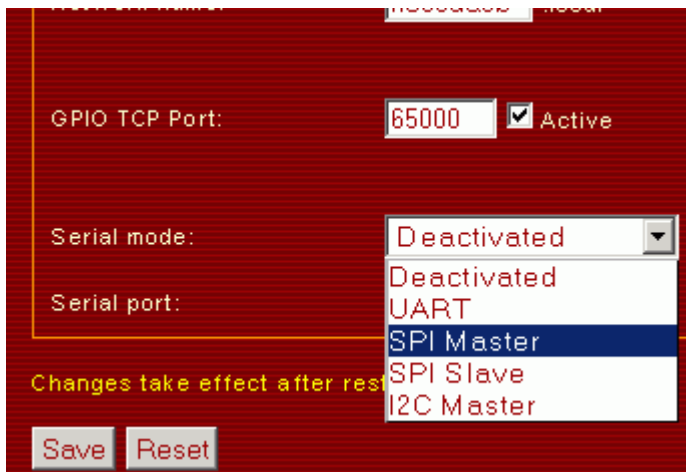
One or more slaves are connected to Netzers SPI interface (3 wire). The Netzer acts as SPI master.

SPI normally needs one chip select per slave. Sometimes more wires are necessary in order to control a slave. For example a reset signal.

But also shift register circuit is possible. In this case the slaves are cascaded in a long chain one after another. The advantage of this practice is that all slaves share one chip select wire. Sometimes even none is needed. A typical example for chaining slaves would be the 8 bit wide shift register 74x594, which can be chained in any order.

Settings at the web interface

The SPI master mode is activated at the common settings page.



Do not forget to restart after changing the mode!

For TCP connections the serial server port is used.


Furthermore the SPI settings are made at the serial settings page.

The following frequencies can be set for SPI_CLK:

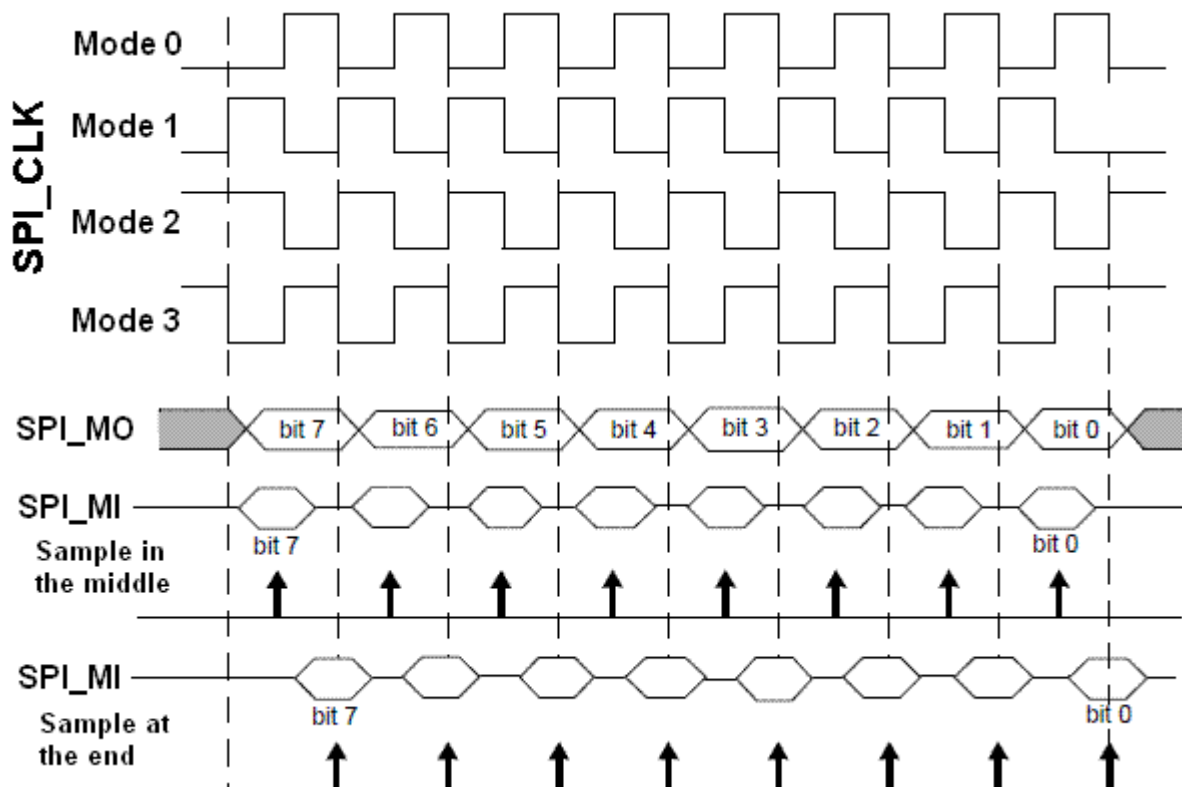
Frequency	Since firmware version
10,4 MBit/s (Wow!)	1.0
2,6 MBit/s	1.0
650 kBit/s	1.0
100 kBit/s	1.5
50 kBit/s	1.5
10 kBit/s	1.5
5 kBit/s	1.5
1,3 kBit/s	1.5

For SPI also the clock mode is important. The polarity of the clock signal and the takeover edge are determined like:

Modus	Silent state of the clock signal	Takeover edge
Modus 0	0	Rising
Modus 1	0	Falling
Modus 2	1	Falling
Modus 3	1	Rising

 For the successful transmission of data the modes of master and slave must be equal!

The figure shows all settings at a glance in a time diagram:

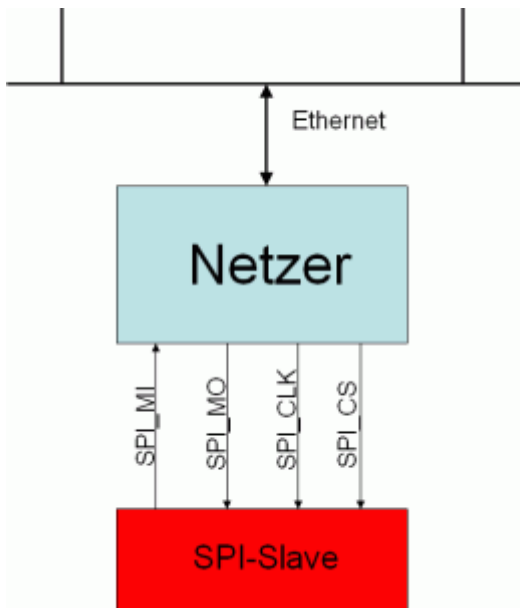


Communication

Since a [connection](#) is established, the SPI Master can be used. All received characters from TCP Client but the backslash ' ' (Escape) are transparently sent from Netzer to the SPI master module. Escaped characters, which are not supported due the installed firmware version are also transparently conveyed. For a complete listing of the supported escape sequencies see below. The ring buffer has a size of 256 byte for buffering transmission bursts.

The SPI Master module generates for each byte eight clock edges at SPI_CLK and shifts out the data at SPI_MO. At the same time the slave delivers data at SPI_MI (see figure above). The so received byte is sent automatically to the TCP Client. In this direction no escaping is used.

Firmware Base version



With the free downloadable base version exactly one slave is supported. Also chaining of more slaves is supported because therefore only vxcyone chip select is needed. The example circuit like the figure above consists of the four pins SPI_MI, SPI_MO, SPI_CLK and SPI_CS. SPI_MO is the data output (data from Netzer to slave). SPI_MI ist the data input (data from Slave to Netzer). The clock signal (SPI_CLK) is controled by Netzer.

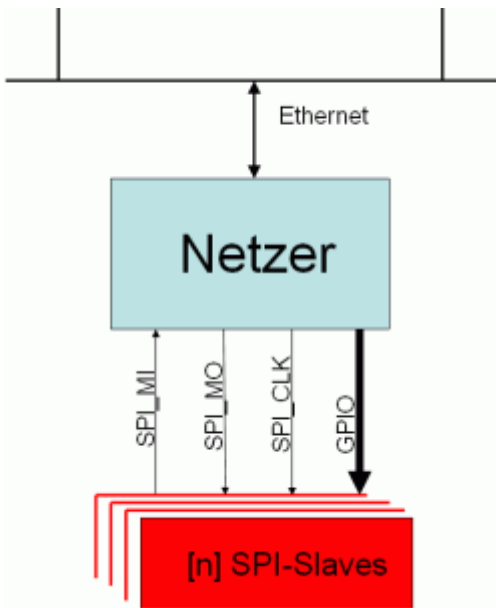
SPI_CS synchronizes the access and selects the slave - in case data is transmitted, Netzer automatically resets the signal to 0. Setting the chip select to 1 can be done through a special escape sequence: (0x5C 0x00).

All other GPIO pins of the Netzer are free usable and controllable via the web interface or the [GPIO server](#).

Supported escape sequencies in the base version:

Sequence (in hex)	Meaning
0x00	SPI_CS is set to 1 - the current slave session will be finished.
All others	Character is transparently transmitted.

Firmware pro version



In contrast to the base version the pro version uses no dedicated chip select signal. But there exist special escape sequences for accessing all the pins of Netzer which are configured as digital outputs. Thereby up to 10 different slaves can be selected. Also other control pins can be serviced which are sometimes needed by special SPI modules. All Netzer GPIO pins but SPI_CLK, SPI_MO and SPI_MI are free usable and controllable via the web interface or the [GPIO server](#).

Also the SPI mode can be dynamically configured. Furthermore wait states can be added, i.e. to accomplish dedicated setup/hold times of slaves.

To avoid blocking the Netzer firmware all received escape sequences are processed sequential. I.e. between the processing of the escapes smaller or greater brakes are made. This can lead to a small jitter of the sequences. Therefore for fixed times the wait states should be used.

Supported escape sequences in the pro version:

Sequence (in ASCII)	Sequence (in hex)	Meaning	Since firmware version
0	0x30	SPI-Mode 0 will be activated.	1.5
1	0x31	SPI-Mode 1 will be activated.	1.5
2	0x32	SPI-Mode 2 will be activated.	1.5
3	0x33	SPI-Mode 3 will be activated.	1.5
a	0x61	Set Pin IO0 to 0.	1.4
b	0x62	Set Pin IO1 to 0.	1.4
c	0x63	Set Pin IO2 to 0.	1.4
d	0x64	Set Pin IO3 to 0.	1.4
e	0x65	Set Pin IO4 to 0.	1.4
f	0x66	Set Pin IO5 to 0.	1.4
g	0x67	Set Pin TX to 0.	1.4
h	0x68	Set Pin RX to 0.	1.4
i	0x69	Set Pin SPI_CS to 0.	1.4
j	0x6A	Set Pin SPI_INT to 0.	1.4
A	0x41	Set Pin IO0 to 1.	1.4
B	0x42	Set Pin IO1 to 1.	1.4

Sequence (in ASCII)	Sequence (in hex)	Meaning	Since firmware version
C	0x43	Set Pin IO2 to 1.	1.4
D	0x44	Set Pin IO3 to 1.	1.4
E	0x45	Set Pin IO4 to 1.	1.4
F	0x46	Set Pin IO5 to 1.	1.4
G	0x47	Set Pin TX to 1.	1.4
H	0x48	Set Pin RX to 1.	1.4
I	0x49	Set Pin SPI_CS to 1.	1.4
J	0x4A	Set Pin SPI_INT to 1.	1.4
t	0x74	Wait 100 μ s till processing of the next character.	1.5
T	0x54	Wait 1 ms till processing of the next character.	1.5
All others	Character is transparently transmitted.		

From: <http://mobacon.de/dokuwiki/> - **MoBaCon**

Permanent link: <http://mobacon.de/dokuwiki/doku.php?id=en:netzer:spi-master&rev=1346184810>

Last update: **2025/06/11 20:42**

